

Subsea Top drive

The SKWS Subsea Top Drive (SSTD) is a purpose designed tool for recovering the Internal Tree Cap (ITC) and Tubing Hanger (TH) from horizontal subsea trees without the need for a rig.



An ITC and/or Tubing Hanger Running Tool (THRT) is adapted to the SSTD. The SSTD is run onto the well/subsea tree using a deck crane or deck winch and the hydraulic umbilical. The tool is then locked to the subsea tree, the THRT is engaged and locked to the ITC or TH. The ITC or TH is then disengaged from the tree by activating the jacking system of the SSTD. The SSTD is now recovered to surface with the UTC or TH connected to the SSTD.

No rig (surface top drive) and drill string is required as the SSTD is deployed via winch or crane from a work boat. A hydraulic umbilical connects the tool to surface controls. Any 5000 psi hydraulic power unit or test pump can be utilised to function the tools.



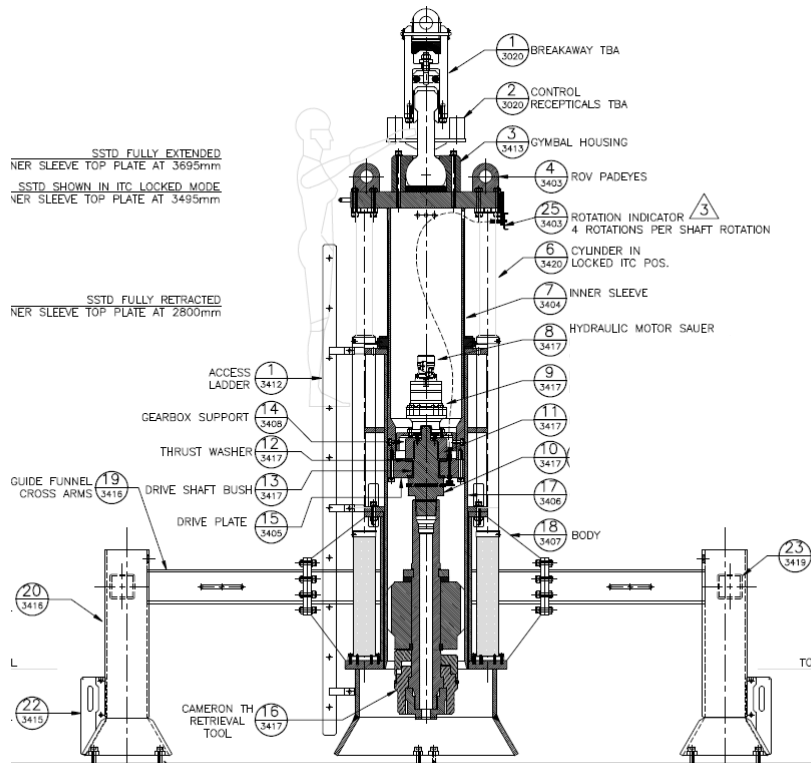
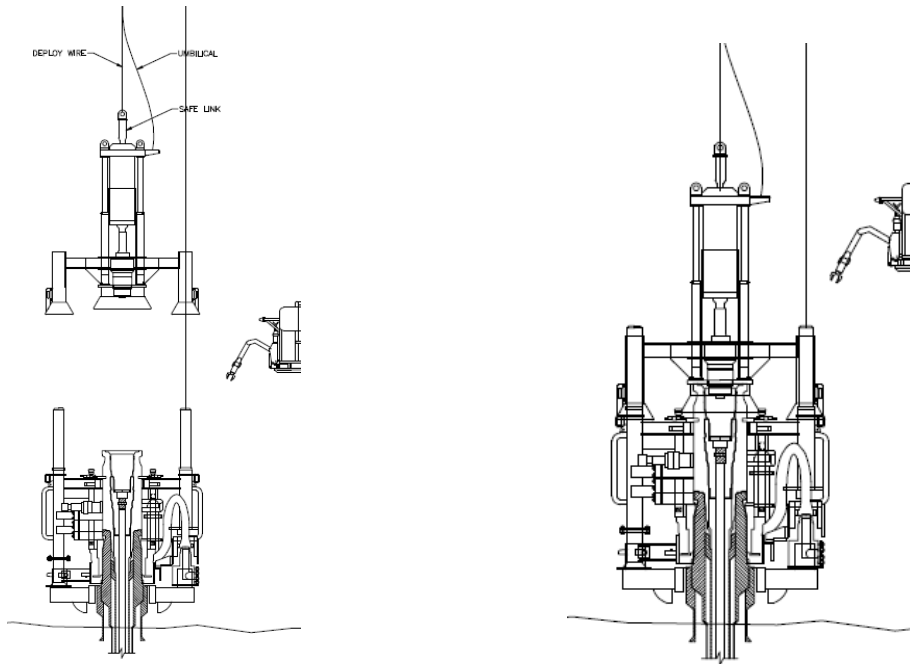
Specifications	
Torque	10000Nm (7375 lbf.ft)
Pull / Lift	300 tonne (660,000lbf)
Hydraulic working pressure	5000psi
Mass	6.5 tonnes

Benefits	Features
<ul style="list-style-type: none"> Eliminates need for a drilling rig 	<ul style="list-style-type: none"> Simple Hydraulic controls Deployed on wire Open Water recovery of ITC and TH ROV operable API Centres running frame

History

- Conoco Phillips – EKKF Field – 90m Water depth, 5 wells
- CNOOC – Lufeng Field – 130m Water depth, 3 wells

Deployment and Recovery



Who we are

SapuraKencana Well Services (SKWS) provides cost effective Riserless Light Well Intervention (RLWI) services for the subsea oil and gas industry. These cover the full life cycle of the field, from FEED study to installation, maintenance, abandonment and full decommissioning of subsea production facilities.

Our equipment and people have a proven track record spanning decades, making us the leading RLWI service provider in the Asia Pacific region. We have the tools, the experience, and the passion to deliver.



SapuraKencana Well Services

skws.com

e | info@skws.com
t | +61 8 9480 1222

Level 14, 58 Mounts Bay Road
Perth Western Australia 6000